



DISCOVER POLARIS

STRONG, RELIABLE & BEAUTIFUL



AMCO

H-POST DESIGN SYSTEM

EASY INSTALLATION, NO ROUTING NECESSARY



Main Features

- 100% Virgin Vinyl
- Snap-Lock Tongue & Groove Boards
- H-Post With A 12Ga Heavy Galvanized Steel Insert
- The Same Color Throughout Profile
- Build Any Size Single Or Double Gate
- Standard Heights 5', 6' & 7' Or Custom
- Hidden Fasteners Or Plug & Screw System
- No Maintenance Necessary
- Will Not Peel, Blister, Crack, Splinter Or Decay
- Limited Lifetime Warranty

WHITE

TAN

GRAY

ADOBE

GREEN TEAK *ASA*

Choose from a wide selection of standard stocked colors, profiles are interchangeable.

Despite our best efforts to color match actual color, panels may deviate slightly from its representation.



RIDEAU STYLE



KINGSTON STYLE



SANCTUARY STYLE



HERITAGE STYLE



PAVILLION STYLE



HARMONY STYLE

POLARIS PVC



Canadian Engineered, Distributed By AMCO

RIDEAU STYLE

EASY INSTALLATION, NO ROUTING NECESSARY



Main Features

- Strong, Elegant With 100% Privacy
- The Most Economical Style
- Both Sides Are Identical
- Designed For Harsh Canadian Climates
- Standard Heights 5', 6' & 6'8" Or Custom
- Easy To Install
- No Maintenance Necessary
- Ontario Pool Code Approved
- Limited Lifetime Warranty

WHITE

TAN

GRAY

ADOBE

GREEN TEAK *ASA*

Choose from a wide selection of standard stocked colors, profiles are interchangeable.

Despite our best efforts to color match actual color, panels may deviate slightly from its representation.



POLARIS PVC



Canadian Engineered, Distributed By AMCO

HARMONY STYLE

EASY INSTALLATION, NO ROUTING NECESSARY



Main Features

- Nice, Elegant & Harmonious Style
- Decorative Open Top Accents
- Both Sides Are Identical
- Designed For Harsh Canadian Climates
- Standard Heights 6' & 7'
- Easy To Install
- No Maintenance Necessary
- Ontario Pool Code Approved
- Limited Lifetime Warranty

WHITE

TAN

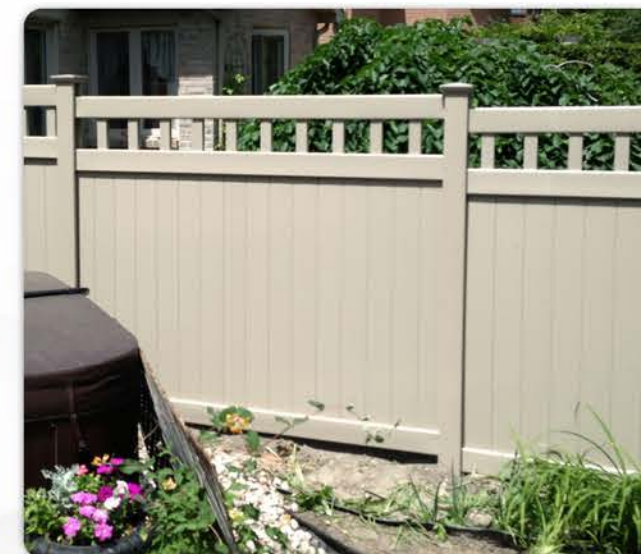
GRAY

ADOBE

GREEN TEAK *ASA*

Choose from a wide selection of standard stocked colors, profiles are interchangeable.

Despite our best efforts to color match actual color, panels may deviate slightly from its representation.



POLARIS PVC



Canadian Engineered, Distributed By AMCO

KINGSTON STYLE

EASY INSTALLATION, NO ROUTING NECESSARY



Main Features

- Strong, Decorative Style With Mid-Rail
- Mid-Rail Adjustable, Set To Any Height
- Both Sides Are Identical
- Designed For Harsh Canadian Climates
- Standard Heights 5' 3", 6' 3" & 7' Or Custom
- Easy To Install
- No Maintenance Necessary
- Ontario Pool Code Approved
- Limited Lifetime Warranty

WHITE

TAN

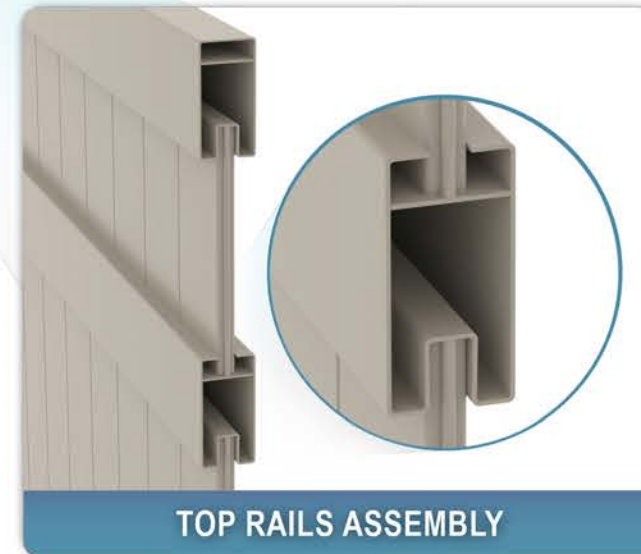
GRAY

ADOBE

GREEN TEAK *ASA*

Choose from a wide selection of standard stocked colors, profiles are interchangeable.

Despite our best efforts to color match actual color, panels may deviate slightly from its representation.



POLARIS PVC



Canadian Engineered, Distributed By AMCO

HERITAGE STYLE

EASY INSTALLATION, NO ROUTING NECESSARY



Main Features

- Traditional Look Without Maintenance
- Privacy Lattice
- Both Sides Are Identical
- Designed For Harsh Canadian Climates
- Standard Heights 6'4" & 7'3" Or Custom
- Easy To Install
- No Maintenance Necessary
- Ontario Pool Code Approved
- Limited Lifetime Warranty

WHITE

TAN

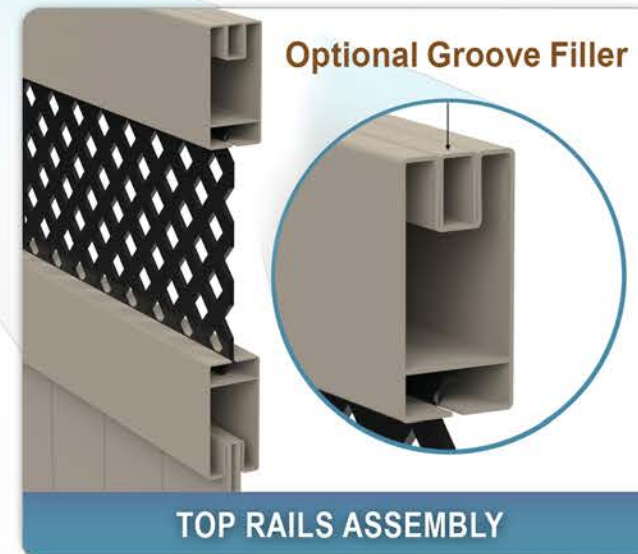
GRAY

ADOBE

GREEN TEAK *ASA*

Choose from a wide selection of standard stocked colors, profiles are interchangeable.

Despite our best efforts to color match actual color, panels may deviate slightly from its representation.



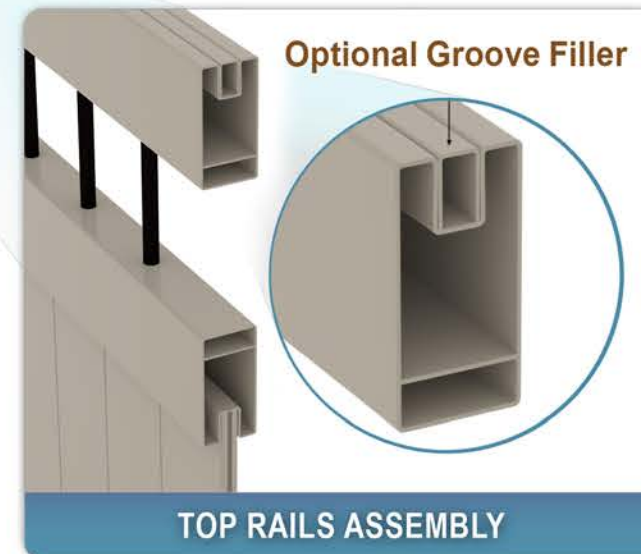
POLARIS PVC



Canadian Engineered, Distributed By AMCO

PAVILLION STYLE

EASY INSTALLATION, NO ROUTING NECESSARY



Main Features

- Attractive Style With Spindle Accents
- Aluminum Black Spindles Will Not Rust
- Both Sides Are Identical
- Designed For Harsh Canadian Climates
- Standard Heights 6' & 7' Or Custom
- Easy To Install
- No Maintenance Necessary
- Ontario Pool Code Approved
- Limited Lifetime Warranty

WHITE

TAN

GRAY

ADOBE

GREEN TEAK *ASA*

Choose from a wide selection of standard stocked colors, profiles are interchangeable.

Despite our best efforts to color match actual color, panels may deviate slightly from its representation.



POLARIS PVC



Canadian Engineered, Distributed By AMCO

SANCTUARY STYLE

EASY INSTALLATION, NO ROUTING NECESSARY



Main Features

- Robust Industrial Look & Feel
- 100% Privacy
- Both Sides Are Identical
- Designed For Harsh Canadian Climates
- Standard Heights 6' & 7'
- Easy To Install
- No Maintenance Necessary
- Ontario Pool Code Approved
- Limited Lifetime Warranty

WHITE

TAN

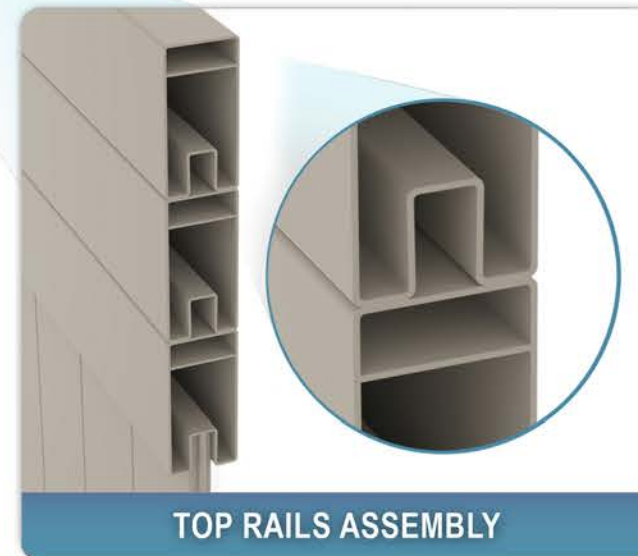
GRAY

ADOBE

GREEN TEAK *ASA*

Choose from a wide selection of standard stocked colors, profiles are interchangeable.

Despite our best efforts to color match actual color, panels may deviate slightly from its representation.



POLARIS PVC



Canadian Engineered, Distributed By AMCO

H-POST DESIGN SYSTEM

EASY INSTALLATION, NO ROUTING NECESSARY



Gate Main Features

- A** Keystone 2-Sided Latch
- B** Self-Closing Hinges (*1 Million Cycles*)
- C** Galvanized 12Ga Heavy-Duty Insert
- D** Pocket Rail With A Stiffener
- E** Gate Brace (*Prevents Gate Sagging*)
- F** Cross Bridge (*Keeps Post Equal Distance*)
- G** Galvanized 20Ga Side Plate
- H** PVC Pull Handle
- I** Build Any Size Single Or Double Gate

WHITE

TAN

GRAY

ADOBE

GREEN TEAK*ASA*

Choose from a wide selection of standard stocked colors, profiles are interchangeable.

Despite our best efforts to color match actual color, panels may deviate slightly from its representation.



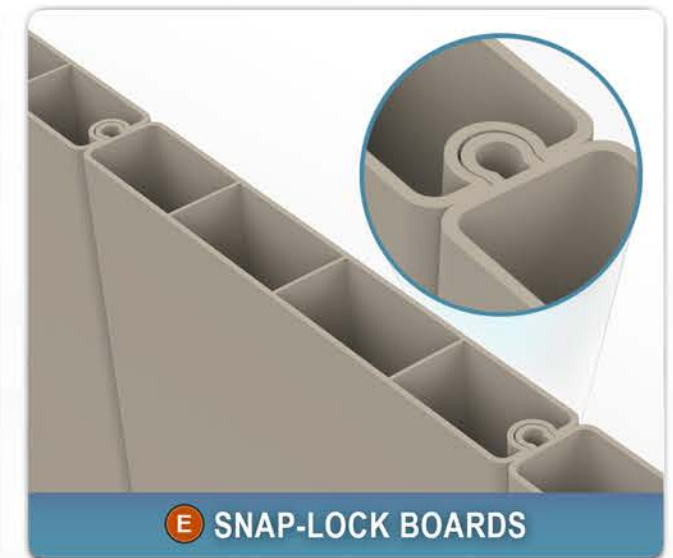
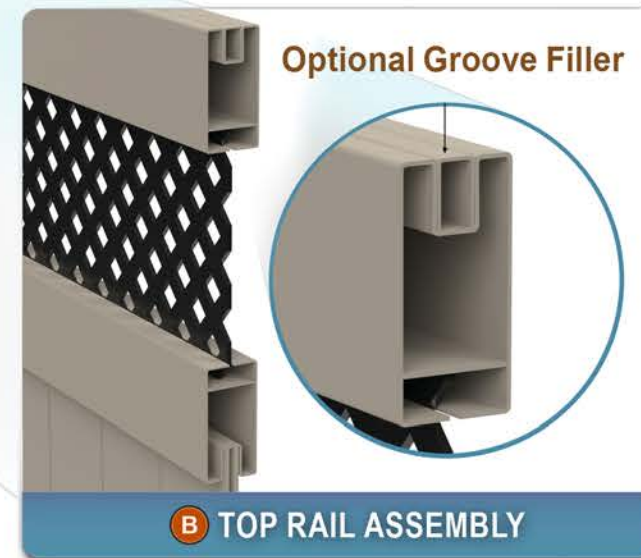
POLARIS PVC



Canadian Engineered, Distributed By AMCO

H-POST DESIGN SYSTEM

EASY INSTALLATION, NO ROUTING NECESSARY



WHITE

TAN

GRAY

ADOBE

GREEN TEAK*ASA*

Choose from a wide selection of standard stocked colors, profiles are interchangeable.

Despite our best efforts to color match actual color, panels may deviate slightly from its representation.

POLARIS PVC

Canadian Engineered, Distributed By AMCO



Virgin PVC doesn't contain recycled products which may have impurities or low grade materials, these will affect the product's impact resistance and UV resilience.

The benefits of PVC is that it will not peel, blister, crack, rot, warp, splinter or decay, nor does it require extraneous cleaning or maintenance. It's durable and can withstand the test of time.

Amco Fencing And Deck Supplies Inc.



129 Tansley Dr, Carp, ON K0A 1L0
Phone: (613) 672-2626

Website: www.amcofencing.ca



Canadian Engineered, Distributed By AMCO